



# Replacement Parts Manual

**Lift-Rite Titan Series Hand Pallet truck  
LCR55 and LCS55 Versions**



## **SAFETY SHOES**

Always wear safety shoes when working with hand pallet trucks.



## **PROTECTIVE GLASSES**

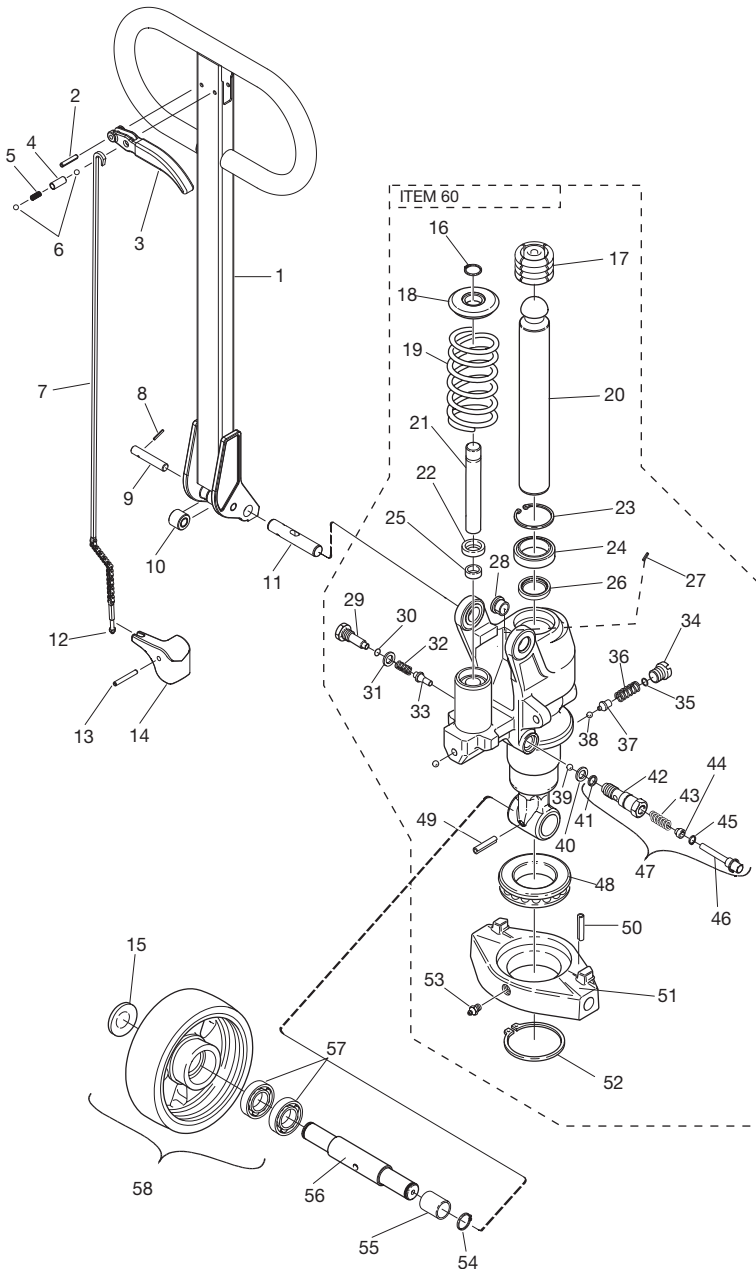
When assembling or dismantling a hand pallet truck, protective glasses must be worn to avoid personal injury.

## **OPERATOR'S RESPONSIBILITY**

While operating a hand pallet truck always wear safety equipment and operate in a responsible manner to ensure a safe work area.



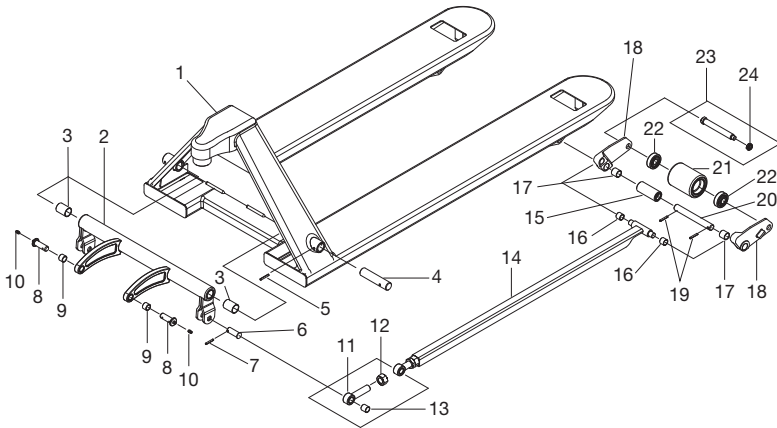
# COMPLETE HYDRAULIC LIFT ASSEMBLY (PL-30277)



ITEM	DESCRIPTION	QTY	PART NO.
1	COMPLETE HANDLE (ITEMS 2-10)	1	PL-30276M
2	SPLIT PIN	1	20105
3	CONTROL LEVER	1	PL-40274BDM
4	CONTROL LEVER SLEEVE	1	54140
5	CONTROL LEVER SPRING	1	218182
6	CHROME BALL	2	20065
7	CONTROL ROD ASSEMBLY	1	215775
8	SPLIT PIN	1	20461
9	AXLE	1	47930
10	ROLLER W/ BUSHING	1	202755
11	AXLE	1	222750
12	ADJUSTING NUT	1	21094
13	LOCKING PIN	1	220312
14	LOWERING ARM	1	215128
15	COVER	2	156623
16	LOCKING RING	1	20043
17	SLEEVE	1	215803
18	WASHER	1	215282
19	SPRING	1	215156
20	PISTON	1	215030
21	PISTON	1	215286
22	SEALING RING	1	21060
23	LOCKING RING	1	20642
24	SEALING	1	20066
25	SEALING	1	215866
26	SEALING	1	215867
27	LOCKING PIN	1	20014
28	BUSHING	2	215913
29	SCREW	1	221586
30	O-RING	1	24213
31	WASHER	1	219201
32	SPRING	1	39106
33	VALVE CONE	1	223935
34	SCREW (OVERLOAD)	1	221232
35	O-RING (OVERLOAD)	1	22032
36	SPRING (OVERLOAD)	1	221227
37	GUIDE PIN (OVERLOAD)	1	221231
38	BALL (OVERLOAD)	1	22055
39	BALL	1	20065
40	WASHER	1	215288
41	O-RING	1	22032
42	VALVE BODY	1	223977
43	SPRING	1	47071
44	GUIDE	1	49513
45	U-RING	1	22318
46	PISTON	1	47051
47	LOWERING VALVE (COMPLETE)	1	215776
48	BALL BEARING	1	213056
49	LOCKING PIN	1	220312
50	LOCKING PIN	2	20001
51	THRUST PLATE	1	215092
52	LOCKING RING	1	21737
53	GREASE NIPPLE	1	27662
54	LOCKING RING	2	20019
55	SPACER	2	161637
(REQUIRED WITH 200965 ONLY)			
56	AXLE	1	220310
57	BEARING	4	22226
58	WHEEL COMPLETE		
	NYLON	2	251189
	POLY	2	160422
	POLY/STEEL	2	200965
	STEEL	2	160433
60	HYDRAULIC UNIT	1	220069
	REBUILD KIT	1	243772

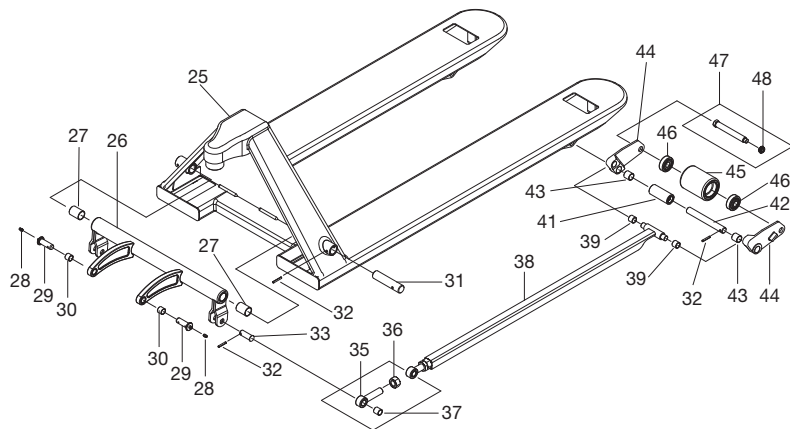


## MODEL LCR55 CHASSIS DIAGRAM



ITEM	DESCRIPTION	QTY	PART NO.
1	CHASSIS (SPECIFY LENGTH & WIDTH)	1	PN-30200
2	TORSION BAR 20.5" WIDE TRUCK 27" WIDE TRUCK	1	PN-30201 PN-30202
3	BUSHING	2	PN-20203A
4	BULKHEAD PIN	2	PN-20204
5	SPRING PIN	2	PN-20269A
6	EYE BOLT PIN	2	PN-20227
7	SPRING PIN	2	PN-20269B
8	THRUST PLATE PIN (W/ GREASE FITTING)	2	166701
9	BUSHING	2	PL-30206
10	GREASE FITTING	2	27662
11	EYE BOLT	2	PN-20226
12	JAM NUT	2	PN-10224AF
13	BUSHING	2	PN-20226A
14	PUSH BAR		
	36" LONG FORK	2	PN-20224X36
	42" LONG FORK	2	PN-20224X42
	48" LONG FORK	2	PN-20224X48
15	EXIT ROLLER	2	PN-20220
16	BUSHING	4	PL-20206
17	BUSHING	4	PN-20203
18	LEVER ARM ASSEMBLY W/ BUSHINGS	2	PN-20212
19	SPRING PIN	4	PN-20269
20	FORK PIN	2	PN-20219
21	LOAD ROLLER NYLON W/ BEARINGS POLY W/ BEARINGS STEEL W/ BEARINGS	2	PL-20210BN-B PL-20210P-B PL-20210S-B
22	LOAD ROLLER BEARING	4	PL-20214
23	AXLE ASSEMBLY	2	PL-20215
24	LOCK NUT	2	PL-10218

## MODEL LCS55 CHASSIS DIAGRAM



ITEM	DESCRIPTION	QTY	PART NO.
25	CHASSIS (SPECIFY LENGTH & WIDTH)	1	PL-30200
26	TORSION BAR (SPECIFY TRUCK WIDTH)	1	(CONSULT FACTORY)
27	BUSHING	2	PL-20203A
28	GREASE FITTING	2	27662
29	THRUST PLATE PIN (W/ GREASE FITTING)	2	166701
30	BUSHING	2	PL-30206
31	BULKHEAD PIN	2	PL-20204
32	SPRING PIN	6	PL-20269
33	EYE BOLT PIN	2	PL-20227
34	EYE BOLT	2	PL-20226
35	JAM NUT	2	PL-10224AF
36	BUSHING	2	PL-20226A
37	PUSH BAR (SPECIFY FORK LENGTH)	2	PL-20224X
38	PUSH BAR (SPECIFY FORK LENGTH)	2	PL-20224X
39	BUSHING	4	PL-20206
40	EXIT ROLLER	2	PL-20220
41	FORK PIN	2	PL-20219
42	BUSHING	4	PL-20203
43	BUSHING	4	PL-20203
44	LEVER ARM W/ BUSHINGS	2	PL-20212
45	LOAD ROLLER NYLON W/ BEARINGS POLY W/ BEARINGS STEEL W/ BEARINGS	2	PL-20210BN-B PL-20210P-B PL-20210S-B
46	LOAD ROLLER BEARING	2	PL-20214
47	AXLE ASSEMBLY	2	PL-20215
48	LOCK NUT	2	PL-10218

Lift-Rite Inc., 55 Walker Drive, Brampton, Ontario, L6T 5K5 • Phone (905) 456-2603 • Fax (905) 456-1383 • Web [www.liftrite.com](http://www.liftrite.com)

ISO 9001:2000 REGISTERED Quality Management System

ISO 14001:2004 REGISTERED Environmental Management System

Replacement Parts Manual

August 2009



## RECYCLING YOUR OLD LIFT-RITE PARTS



<b>Chassis</b>	Steel
Roller suspension	Steel and cast iron
Bushings	Brass
Grease fittings	Steel
Rollers	Nylon, polyurethane, steel
<b>Hydraulic body</b>	Cast iron
Thrust plate	Cast iron
Handle	Steel
Wheel	Nylon, polyurethane, steel
Bushings	Brass
Hydraulic oil	Disposal in accordance with local regulations
Assembly parts	Steel, brass, nylon

# LIFRITE®

Lift-Rite has been **ISO 9001:2000 REGISTERED**  
Quality Management System

Lift-Rite has been **ISO 14001:2001 REGISTERED**  
Environmental Management System

