



Owner's Manual, Operating Instructions Manual, and Replacement Parts Manual

**Lift-Rite Titan Series Hand Pallet Trucks
Models LCR55 and LCS55 Versions**



Lift-Rite, 5975 Falbourne Street, Mississauga, Ontario L5R3L8 **Tel:** Toll Free from USA: 1-800-558-6012; **Tel:** 1-905-456-2603 (Canada and International)

Fax: 1-905-456-1383 Owner's Manual, Operating Instructions, and Replacement Parts Manual, Publication Number 1130442B ©2013

Dated 08 Oct 2013



This publication, 1130442B, applies to the Lift-Rite Titan Series Hand Pallet Trucks, Models LCR55 and LCS55 versions, and to all subsequent releases of this product until otherwise indicated in new editions. Changes occur periodically to the information in this publication.

To order additional copies of this manual, part number 1130442B, contact your local authorized Lift-Rite Sales and Service Center.

If you need assistance with your lift truck, contact your local authorized Lift-Rite Sales and Service Center.

To locate your Sales and Service Center, go to www.liftright.com

©2013

Lift-Rite, 5975 Falbourne Street, Mississauga, Ontario L5R3L8 **Tel:** Toll Free from USA: 1-800-558-6012; **Tel:** 1-905-456-2603 (Canada and International)

Fax: 1-905-456-1383 Owner's Manual, Operating Instructions, and Replacement Parts Manual, Publication Number 1130442B ©2013

Dated 08 Oct 2013



TABLE OF CONTENTS

DELIVERY INSPECTION	2
OPERATING INSTRUCTIONS	2
SAFETY PROCEDURES	3
DAILY INSPECTION	3
MAINTENANCE	4-5
TROUBLESHOOTING	6
PARTS	7-9
Hydraulic Assembly	7
LCR55 Chassis	8
LCS55 Chassis	8
Recycling Old Parts	9
WARRANTY	10



SAFETY SHOES

Always wear safety shoes when working with hand pallet trucks.



PROTECTIVE GLASSES

When assembling or dismantling a hand pallet truck, protective glasses *must* be worn to avoid personal injury.

OPERATOR'S RESPONSIBILITY

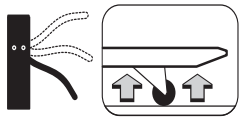
While operating a hand pallet truck, *always* wear safety equipment and operate in a responsible manner to ensure a safe work area.

DELIVERY INSPECTION

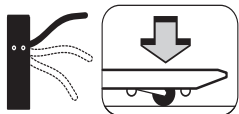
Visually inspect hand pallet truck frame components and hydraulic unit for damage during shipment by carrier. If damage is evident, notify delivering carrier immediately and file necessary claims. Test the hand pallet truck pump for proper operation. **If the hydraulic pump does not respond to movement of the handle, an air lock may have developed during shipping. To remedy this, go to the user friendly TROUBLESHOOTING guide in this manual.**

OPERATING INSTRUCTIONS

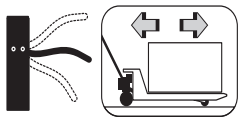
(Read and understand prior to using this product)



→ To raise the load, push down on the fingertip control. Pump the handle to raise the load from the floor.



→ To lower the load, pull up on the fingertip control.



→ For free handle movement, place the fingertip control in the neutral position.

NOTE:

The neutral position disengages the pump from the lifting mechanism. This frees the handle, which makes pulling loads easier. In addition, the pump is not subject to shock pressures while the truck is in motion.



SAFETY PROCEDURES

(Read and understand prior to using this product)

- Read and obey all labels on this product. If you have any questions about these, ask your supervisor.
- Do *not* operate this hand pallet truck unless you are authorized and trained to do so.
- *Never* overload your hand pallet truck. Stay within its rated capacity.
- Do *not* operate this truck if damaged or not in proper working order.
- Distribute the load evenly on the forks. Do *not* concentrate loads at one point or load one fork more than the other.
- When the load impairs visibility, the hand pallet lift truck should be pulled and not pushed.
- *Always* look where you are operating. Keep a clear view.
- Only handle loads on flat level surfaces. Do *not* use a loaded truck on inclines or declines.
- *Never* carry passengers.
- *Never* put your feet, hands, or any other body part under the frame assembly.
- *Always* yield right of way to pedestrians.
- Do *not* allow your hand pallet truck to drop from one level to another. Even a drop of 1 in. (25 mm) more than doubles the effective load momentarily and results in a loading that can bend or break components.
- Move loads only with the hand pallet truck in its lowest position.
- *Always* make sure that the load is stable before moving to eliminate the opportunity for load shift.
- Use extreme care when rounding corners. Too fast a speed could cause a hand pallet lift truck to tip. If loaded, the load could shift and fall.
- When not in use, fully lower the forks.

DAILY INSPECTION

At the start of your shift, check the items listed below. Report any malfunctions or unsafe conditions to your supervisor. Do not use this product until it is repaired.

CHECK POINTS	Steering	Hydraulic System	Wheels	Chassis/ Handle	Lifting/ Lowering	Labels
ACTION	Check full rotation	Check for excessive oil on exterior and check for function	Check for wear, damage, and remove debris	Check for damage and remove debris	Check for function	Check for readability



MAINTENANCE

LUBRICATION

All pivot points are equipped with permanently lubricated bushings and bearings. To increase bearing life, it is recommended that a few drops of light machine oil be applied at each pivot point every 6 months. The thrust plate is equipped with three grease fittings. Apply grease under normal conditions every 6 months.

PUSH BAR LINKAGE ADJUSTMENT

If the forks do *not* rise evenly at the tips, or the roller levers begin to drag on the floor, the following adjustment is necessary:

LCR55 MODEL

- Turn the hand pallet truck over so that the underside of the forks are accessible.
- Remove one split pin (PN-20269B) with 3/16 in. punch.
- Remove pin (PN-20227) from bracket.
- Adjust eyebolts (PN-20226). Turn counterclockwise to raise fork tips and clockwise to lower fork tips.
- Replace pin (PN-20227) through eyebolt and replace split pin (PN-20269B).
- When adjusted properly, the forks should be 3 in. low height from ground level in the lowered position.

LCS55 MODEL

- Turn the hand pallet truck over so that the underside of the forks are accessible.
- Remove one split pin (PL-20269) with 3/16 in. punch.
- Remove pin (PL-20227) from bracket.
- Adjust eyebolts (PL-20226). Turn counterclockwise to raise fork tips and clockwise to lower fork tips.
- Replace pin (PL-20227) through eyebolt and replace split pin (PL-20269).
- When adjusted properly, the forks should be 3 in. (LCS) low height from ground level in the lowered position.



MAINTENANCE (CONT.)

HYDRAULIC SYSTEM

Your hydraulic system is maintenance free. Do *not* add hydraulic oil unless there is, or has been, a leak. Use Premium HVI hydraulic oil or equal. Other oils, fluids, or solvents may damage your hydraulic system. If you suspect additional oil is required, follow these steps:

1. Check for and fix any possible oil leaks.
2. Lower the truck and load with 600 lbs. (approximate).
3. Pump the truck to its maximum lift height.
4. Measure the vertical height of the exposed piston (215030) and refer to the chart below.

Distance (inches)	5-1/8 in.	4-3/4 in.	4-3/8 in.	4 in.	3-1/2 in.	3-1/8 in.	2-3/4 in.	2-3/8 in.
Oil to add (Fl. Oz.)	0	2.7	3.0	3.4	3.7	4.0	4.4	4.7

ADDING OIL (IF REQUIRED)

1. Place and secure the truck on its right side (release valve facing the floor).
2. Pull up on the release lever (PL-40274BDM) and extend the lift piston fully.
3. Remove screw (221586) and add the amount of oil determined by the chart in step 4.
4. Reinstall screw (221586) but do not tighten. Leave a 1/32 in. gap.
5. Pull up on the release lever (PL-40274BDM) and collapse the lift piston until oil starts to ooze from the screw.



CAUTION! - It is extremely important that step 5 is performed. Otherwise, air in the pump can force out the wiper seal (20066). Take care when adding oil not to introduce impurities into the hydraulic system.

6. Tighten the screw (221586) fully and return the truck upright.

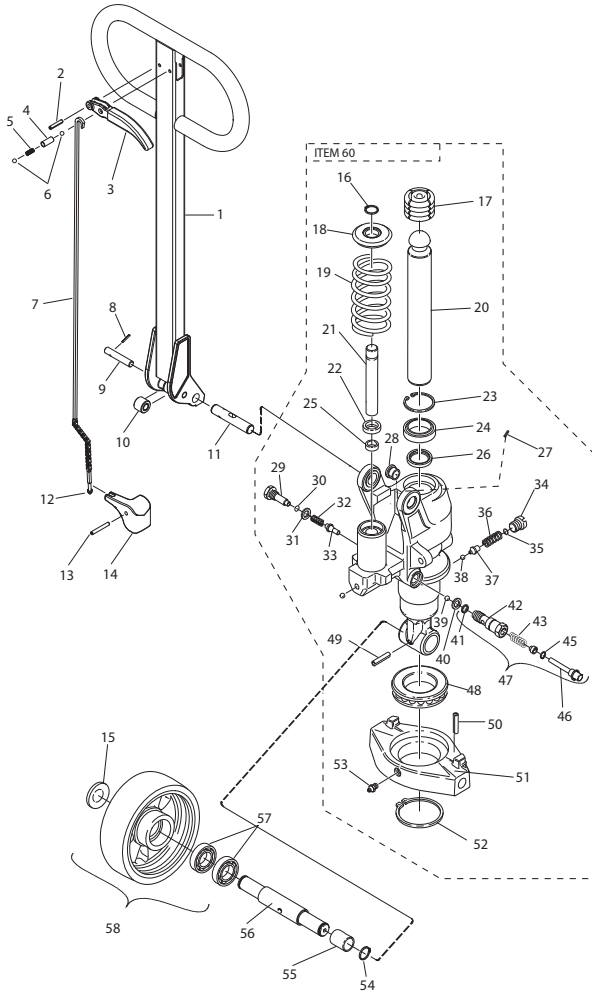


TROUBLESHOOTING

CONDITION	POSSIBLE CAUSE	ACTION
Pump does not lift load.	An air lock in the hydraulic system.	Pull up on fingertip control and hold while pumping the handle 8 to 10 times to bleed air from the system.
Lifting, neutral, and lowering do not function properly.	Chain anchor out of adjustment.	Turn nut (21094) on chain anchor clockwise until pumping action, while in neutral, does not raise forks.
Forks raise and sink with pump action.	Dirt or foreign particle caught in cone valve seat.	Pull up on fingertip control and hold while pumping the handle 8 to 10 times to purge the valve system.
Pump does not lift load to complete raised height.	Pump is low on oil.	Check for and fix any leaks. Then add oil as instructed in the MAINTENANCE section.
Forks are not lowering completely.	Push jam nut is loose. Push bars require adjustment.	Refer to Push Bar Linkage Adjustment in the MAINTENANCE section.



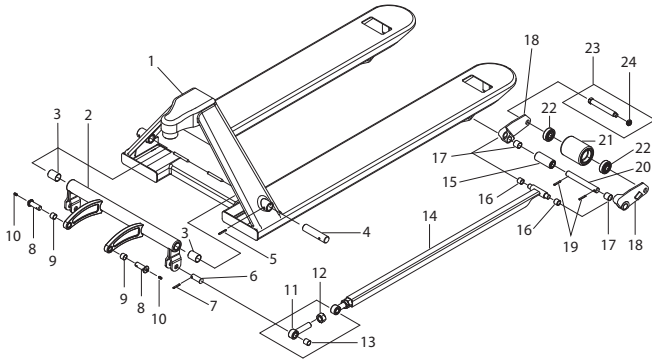
COMPLETE HYDRAULIC ASSEMBLY (PL-30278BN)



ITEM	DESCRIPTION	QTY	PART NO.
1	COMPLETE HANDLE (ITEMS 2-10)	1	PL-40276M
2	SPLIT PIN	1	20105
3	CONTROL LEVER	1	PL-40274BDM
4	CONTROL LEVER SLEEVE	1	54140
5	CONTROL LEVER SPRING	1	218182
6	CHROME BALL	2	20065
7	CONTROL ROD ASSEMBLY	1	215775
8	SPLIT PIN	1	20461
9	AXLE	1	47930
10	ROLLER W/BUSHING	1	202755
11	AXLE	1	7500086
12	ADJUSTING NUT	1	21094
13	LOCKING PIN	1	220312
14	LOWERING ARM	1	215128
15	COVER	2	156623BT
16	LOCKING RING	1	20043
17	SLEEVE	1	215803
18	WASHER	1	215282
19	SPRING	1	215156
20	PISTON	1	215030
21	PISTON	1	215286
22	SEALING RING	1	7500105CE
23	LOCKING RING	1	20642
24	SEALING	1	20066
25	SEALING	1	215866
26	SEALING	1	215867
27	LOCKING PIN	1	20014
28	BUSHING	2	215913
29	SCREW	1	221586
30	O-RING	1	24213
31	WASHER	1	235545
32	SPRING	1	39106
33	VALVE CONE	1	223935
34	SCREW (OVERLOAD)	1	221232
35	O-RING (OVERLOAD)	1	22032
36	SPRING (OVERLOAD)	1	221227
37	GUIDE PIN (OVERLOAD)	1	221231
38	BALL (OVERLOAD)	1	22055
39	BALL	1	20065
40	WASHER	1	215288
41	O-RING	1	22032
42	VALVE BODY	1	7500112
43	SPRING	1	47071
45	U-RING	1	7500100
46	PISTON	1	7500116
47	LOWERING VALVE (COMPLETE)	1	7518604CE
48	BALL BEARING	1	213056
49	LOCKING PIN	1	220312
50	LOCKING PIN	2	20001
51	THRUST PLATE	1	215092
52	LOCKING PIN	1	21737
53	GREASE NIPPLE	1	27662
54	LOCKING RING	2	20019
55	SPACER	2	161637
(REQUIRED WITH 200965BT ONLY)			
56	AXLE	1	220310
57	BEARING	4	22226
58	WHEEL COMPLETE		
	NYLON	2	251189
	POLY	2	160422
	POLY/STEEL	2	200965BT
	STEEL	2	160433
60	HYDRAULIC UNIT	1	220069
	REBUILD KIT	1	243772

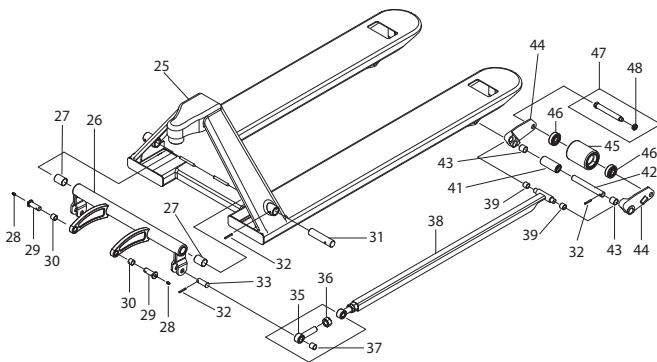


MODEL LCR55 CHASSIS DIAGRAM



ITEM	DESCRIPTION	QTY	PART NO.
1	CHASSIS	1	(CONSULT FACTORY)
	(SPECIFY LENGTH AND WIDTH)		
2	TORSION BAR	1	(CONSULT FACTORY)
	20.5 IN. WIDE TRUCK		PN-30201
	27 IN. WIDE TRUCK		PN-30202
3	BUSHING	1	PN-20203A
4	BULKHEAD PIN	2	PN-20204
5	SPLIT PIN	2	20174
6	EYE BOLT PIN	2	PN-20227
7	SPLIT PIN	2	PN-20269B
8	THRUST PLATE PIN (W/GREASE FITTING)	2	166701
9	BUSHING	2	PL-30206
10	GREASE FITTING	2	27662
11	EYE BOLT	2	PN-20226
12	JAM NUT	2	PN-10224AF
13	BUSHING	2	PN-20226A
14	PUSH BAR		
	36 IN. LONG FORK	2	PN-20224X36
	42 IN. LONG FORK	2	PN-20224X42
	48 IN. LONG FORK	2	PN-20224X48
15	EXIT ROLLER	2	PN-20220
16	BUSHING	4	PL-20206
17	BUSHING	4	PN-20203
18	LEVER ARM ASSEMBLY W/BUSHINGS	2	PN-20212
19	SPLIT PIN	4	PN-20269
20	FORK PIN	2	PN-20219
21	LOAD ROLLER		
	NYLON W/BEARINGS	2	PL-20210BN-B
	POLY W/BEARINGS	2	167609
	STEEL W/BEARINGS	2	PL-20210S-BRG
22	LOAD ROLLER BEARING	4	PL-20214
23	AXLE ASSEMBLY	2	PL-20215
24	LOCK NUT	2	PL-10218

MODEL LCS55 CHASSIS DIAGRAM



ITEM	DESCRIPTION	QTY	PART NO.
25	CHASSIS	1	(CONSULT FACTORY)
	(SPECIFY LENGTH & WIDTH)		
26	TORSION BAR	1	(CONSULT FACTORY)
	(SPECIFY TRUCK WIDTH)		
27	BUSHING	2	PL-20203A
28	GREASE FITTING	2	27662
29	THRUST PLATE PIN (W/GREASE FITTING)	2	166701
30	BUSHING	2	PL-30206
31	BULKHEAD PIN	2	PL-20204
32	SPLIT PIN	6	PL-20269
33	EYE BOLT PIN	2	PL-20227
35	EYE BOLT	2	PL-20226
36	JAM NUT	2	PL-10224AF
37	BUSHING	2	PL-20226A
38	PUSH BAR		
	36 IN. LONG FORK	2	PL-20224X36
	60 IN. LONG FORK	2	1124207-002
	72 IN. LONG FORK	2	1124207-003
	96 IN. LONG FORK	2	1124210-002
39	BUSHING	4	PL-20206
41	EXIT ROLLER	2	PL-20220
42	FORK PIN	2	PL-20219
43	BUSHING	4	PL-20203
44	LEVER ARM W/BUSHINGS	2	PL-20212
45	LOAD ROLLER		
	NYLON W/BEARINGS	2	PL-20210BN-B
	POLY W/BEARINGS	2	167609
	STEEL W/BEARINGS	2	PL-20210S-BRG
46	LOAD ROLLER BEARING	2	PL-20214
47	AXLE ASSEMBLY	2	PL-20215
48	LOCK NUT	2	PL-10218

8

Lift-Rite, 5975 Falbourne Street, Mississauga, Ontario L5R3L8 Tel: Toll Free from USA: 1-800-558-6012; Tel: 1-905-456-2603 (Canada and International)

Fax: 1-905-456-1383 Owner's Manual, Operating Instructions, and Replacement Parts Manual, Publication Number 1130442B ©2013

Dated 08 Oct 2013



RECYCLING YOUR OLD LIFT-RITE PARTS



Chassis	Steel
Roller suspension	Steel and cast iron
Bushings	Brass
Grease fittings	Steel
Rollers	Nylon, polyurethane, steel
Hydraulic body	Cast iron
Thrust plate	Cast iron
Handle	Steel
Wheel	Nylon, polyurethane, steel
Bushings	Brass
Hydraulic oil	Disposal in accordance with local regulations
Assembly parts	Steel, brass, nylon



HAND PALLET TRUCK WARRANTY

The Lift-Rite Titan Series Hand Pallet Trucks, Models LCR55 and LCS55 versions, are warranted against defects in materials and workmanship for a period of two (2) years for the hydraulic pump, one (1) year for the truck chassis, and six (6) months for wearable components. All periods begin from date of installation.

Wearable Components include but are not limited to:

- Wheels, Rollers, and Bearings
- Oilite Bearings and Bushings

Components found to be defective by an authorized Lift-Rite Sales and Service Center during the warranty period will be replaced or repaired as indicated above. Replacement components installed during the defined period set forth above, are warranted for the balance of the applicable truck warranty period, or 90 days, whichever is longer. Additionally, freight charges for parts involved in the replacement or repair of a defective component will be paid by Lift-Rite, provided that the replacement or repair is made by an authorized Lift-Rite Sales and Service Center. Labor or miscellaneous costs involved in the replacement of any components determined to be defective are not covered. Local taxes, if any, are excluded.

This warranty is void in the event of defects or damage caused by misuse, abuse, or accident. Any truck used under adverse conditions, such as fish, meat or poultry processing plants, tanneries, freezer applications, or any other application where the unit is operating in water or subjected to fluid or chemicals is NOT covered under any warranty.

This warranty does not cover oil leaks, adjustments, or loose hardware.

Lift-Rite reserves the right to make changes and improvements in design without making changes to previously manufactured vehicles.

Notwithstanding any other language contained herein, this warranty is expressly voided without any further notice if any modification is made to the Lift-Rite equipment, or if additional components or devices are added to the Lift-Rite equipment, without prior approval having been granted in writing by Lift-Rite.

THIS WARRANTY IS IN LIEU OF ALL OTHER WARRANTIES, EXPRESSED, IMPLIED, OR STATUTORY. THERE ARE NO WARRANTIES OF MERCHANTABILITY OR FITNESS FOR A PARTICULAR PURPOSE. In no event shall Lift-Rite be liable for incidental, special, or consequential damages.

LIFT-RITE®

Lift-Rite, 5975 Falbourne Street, Mississauga, Ontario L5R3L8 **Tel:** Toll Free from USA: 1-800-558-6012; **Tel:** 1-905-456-2603 (Canada and International)

Fax: 1-905-456-1383 Owner's Manual, Operating Instructions, and Replacement Parts Manual, Publication Number 1130442B ©2013

Dated 08 Oct 2013