

LIFTRITE®

Owner's Manual, Operating Instructions Manual, and Replacement Parts Manual

**Lift-Rite Hand Pallet Trucks
Model Easy-Lift**



This publication, 1130684/001C, applies to the Lift-Rite Model ER-Easy – Easy-Lift and to all subsequent releases of this product until otherwise indicated in new editions. Changes occur periodically to the information in this publication.

To order additional copies of this manual, part number 1130684/001C, contact your local authorized Lift-Rite Sales and Service Center.

If you need assistance with your lift truck, contact your local authorized Lift-Rite Sales and Service Center.

For more information please visit www.liftrite.com

©2020 Lift-Rite

TABLE OF CONTENTS

DELIVERY INSPECTION	2
SAFETY PROCEDURES	3
OPERATING INSTRUCTIONS	4
MAINTENANCE	4
DAILY INSPECTION	4
MODEL ER-EASY – EASY-LIFT	6-7
WARRANTY	8

**SAFETY SHOES**

Always wear safety shoes when working with hand pallet trucks.

**PROTECTIVE GLASSES**

When assembling or dismantling a hand pallet truck, protective glasses *must* be worn to avoid personal injury.

OPERATOR'S RESPONSIBILITY

While operating a hand pallet truck, *always* wear safety equipment and operate in a responsible manner to ensure a safe work area.

DELIVERY INSPECTION

Visually inspect frame components and lifting mechanism for damage during shipment by carrier. If damage is evident, notify delivering carrier immediately and file necessary claims.

SAFETY PROCEDURES

(Read and understand prior to using this product)

- Read and understand the contents of this manual prior to using this piece of equipment.
- Read and obey all labels on this product. If you have any questions about these, ask your supervisor.
- Never overload your Easy-Lift; stay within rated capacity depicted on specification tag.
- Do not operate truck if it has been damaged or is not in proper working order.
- Distribute the load evenly on the platform and within the specified load center.
- Only handle loads on flat level surfaces. Do not use a loaded truck on inclines or declines.
- Never put your feet, hands, or any other body part under the frame assembly, platform, or load.
- Always make sure that the load is stable before moving to eliminate opportunity for load shift.
- When not in use, platform should be fully lowered to avoid injury.
- Do not get oil or grease on the winch friction disc, as this could allow the load to slip or fall.
- Obey crank rotation decals and operating instructions.
- Do not use this lift as a personnel lift.
- Never let anyone stand or ride on the truck frame or platform.
- Inspect cable, winch, and frame for excessive wear or damage before each use.
- A loud clicking sound from the ratchet must be heard when lifting load. If a loud clicking sound is not heard, do not use.
- Never release the crank handle unless the ratchet pawl is fully engaged and the load is supported.
- Never leave a weight hanging from the winch while the winch is unattended, as another person may attempt to operate the winch, thereby creating an unsafe condition.
- Move loads only with the platform in the fully lowered position.
- Failure to follow these safety procedures may result in property damage, bodily injury, and/or death.

OPERATING INSTRUCTIONS

- Push or pull lift by firmly grabbing the loop handle with the platform in the lowered position.
- To LIFT a load, turn crank handle clockwise. The ratchet **MUST** make a loud clicking noise.
- To LOWER a load, turn crank handle counterclockwise. No clicking will be heard because the brake system is activated.

MAINTENANCE

- Do not get oil or grease on the friction disks. This could allow the load to slip and fall.
- Maintain a film of automotive type grease on all gear teeth, and to the OD of drum bearing at all times.
- Keep ratchet pawl pivot, bushings, and pinion threads lubricated with automotive engine oil at all times.

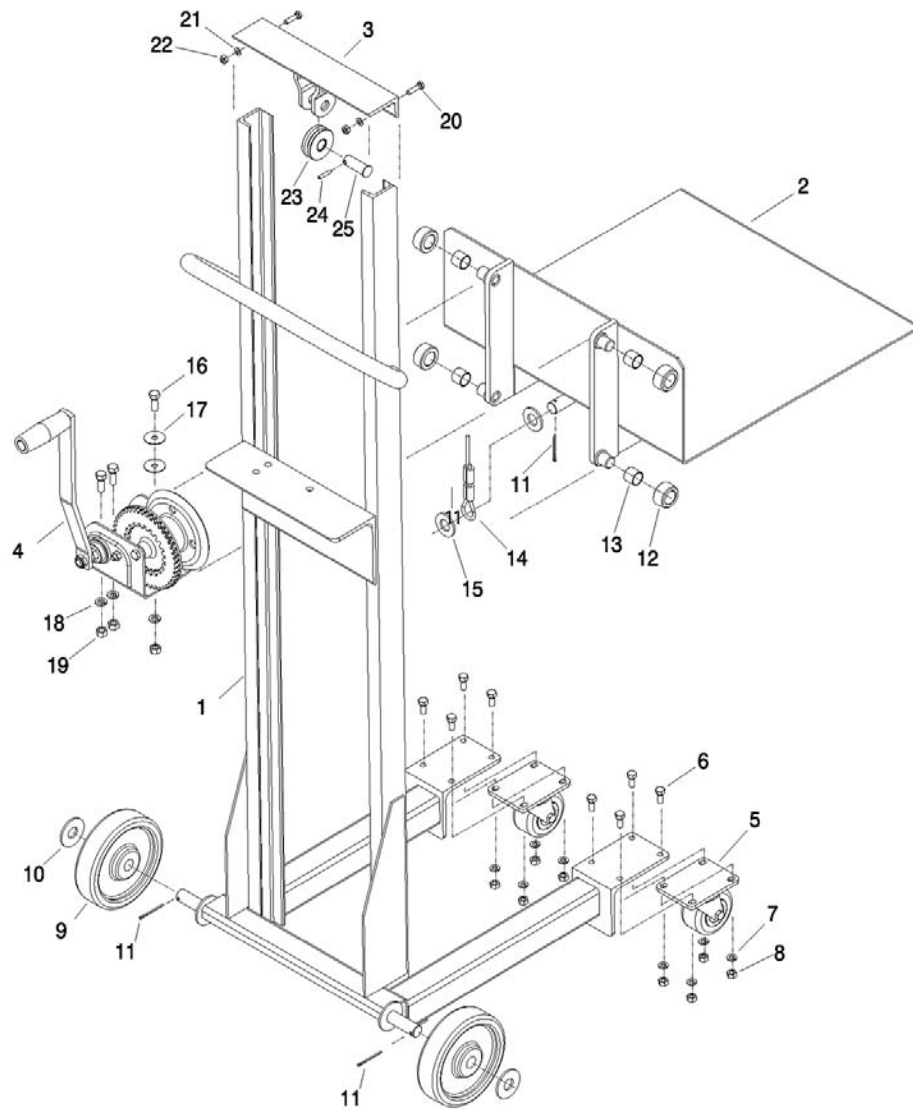
DAILY INSPECTION

At the start of your shift, check the items listed below. Report any malfunction or unsafe conditions to your supervisor. Do not use this product until it is repaired.

- Check cable, friction disks, and gear teeth for excessive wear.
- Check wheels and casters for excessive wear or damage, and remove debris.
- Excessive wear is an indication that the component requires replacement.
- Inspect fasteners for proper tightness.

THIS PAGE LEFT BLANK INTENTIONALLY

Model ER-Easy – Easy-Lift



ITEM	QTY	PART NO.	DESCRIPTION
			Easy-Lift
1	1	PE-6001	Frame Assembly
2	1	PE-6002	Platform Assembly
3	1	AE-6004	Top Cross Member
4	1	PE-6003	Winch Assembly
5	2	PE-6006	Caster, Swivel 3 In.
6	8	MI-HEC.75Z	Bolt
7	8	11009-05	Washer
8	8	MI-NUTECZ	Nut
9	2	1275686	Wheel, 6 In.
10	2	PL-10250B	Washer
11	3	MI-CPIN1.5Z	Pin, Cotter
12	4	PE-6011	Carriage Roller
13	4	PL-10203	Bushing
14	1	PE-6015	Rope, Wire
15	2	MI-FLATLA	Washer
16	3	MI-HFC1Z	Bolt
17	2	MI-FLATC1	Washer, Fender
18	3	MI-LOCKFZ	Washer
19	3	MI-NUTFCZ	Nut
20	2	MI-HDC1Z	Bolt
21	2	MI-LOCKDZ	Washer
22	2	MI-NUTDCZ	Nut
23	1	PE-6007	Pulley
	1	PL-20206	Bearing
24	1	PM-20269	Pin, Split
25	1	PL-20227	Pin, Eye Bolt

EASY-LIFT TRUCK WARRANTY

This Easy-Lift Truck is warranted against defects in materials and workmanship for a period of six (6) months from the date of installation.

Components found to be defective by an authorized Lift-Rite Sales and Service Center during the warranty period will be replaced or repaired as indicated above. Replacement components installed during the defined period set forth above, are warranted for the balance of the applicable truck warranty period, or 90 days, whichever is longer. Additionally, freight charges for parts involved in the replacement or repair of a defective component will be paid by Lift-Rite, provided that the replacement or repair is made by an authorized Lift-Rite Sales and Service Center. Labor or miscellaneous costs involved in the replacement of any components determined to be defective are not covered. Local taxes, if any, are excluded.

This warranty is void in the event of defects or damage caused by misuse, abuse, or accident.

This warranty does not cover oil leaks, adjustments, or loose hardware.

Lift-Rite reserves the right to make changes and improvements in design without making changes to previously manufactured vehicles.

Notwithstanding any other language contained herein, this warranty is expressly voided without any further notice if any modification is made to the Lift-Rite equipment, or if additional components or devices are added to the Lift-Rite equipment, without prior approval having been granted in writing by Lift-Rite.

THIS WARRANTY IS IN LIEU OF ALL OTHER WARRANTIES, EXPRESSED, IMPLIED, OR STATUTORY. THERE ARE NO WARRANTIES OF MERCHANTABILITY OR FITNESS FOR A PARTICULAR PURPOSE. In no event shall Lift-Rite be liable for incidental, special, or consequential damages.

LIFTRITE®