

5975 Falbourne St Unit 3,
Mississauga, ON L5R 3V8
(905) 507-2099

Maintenance Instruction

Problem: Truck not lowering

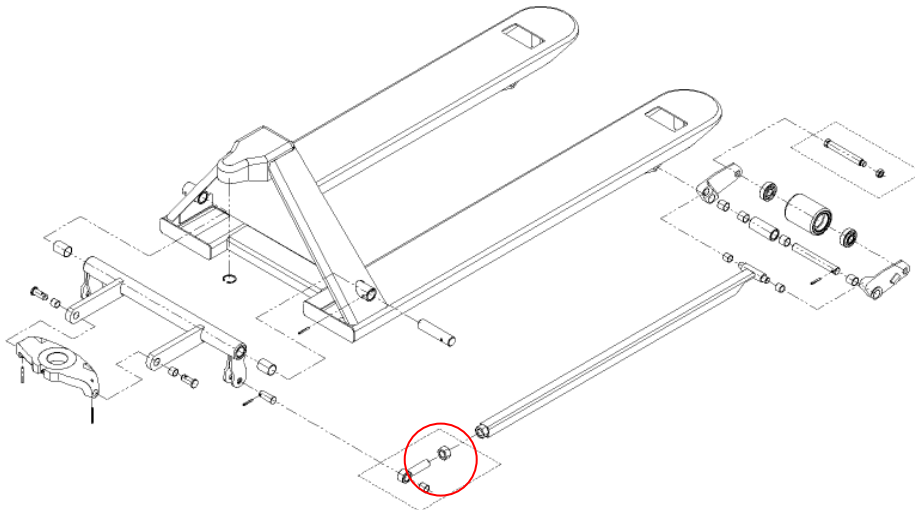
Causes: Typically two causes prevent the pallet truck from lowering properly:

(Cause 1)

One is that a frame component has been bent or damaged and is unable to travel through the proper motion. In this case the unit must be inspected and repaired by an authorized Lift-rite dealer at the expense of the owner.

(Cause 2)

The truck is subject to vibration going over docks, cracks in floors etc.... This can cause the loosening of the push bar jam nut (item identified in circle).



Solution:

If the jam nut on either side has loosened and backed away as shown in the photo 1 below, it will prevent the complete rotation of the joint. To remedy this, the nut must be tightened up against the welded nut on the push bar (as in photo 2)



Photo 1 – jam nut loose



Photo 2 – tightened jam nut against welded nut