

FREEZER

HAND PALLET TRUCK

DOESN'T RUN FROM HARSH WEATHER.

Extreme environments demand extreme solutions. No other materials handling company understands this better than Lift-Rite.

The Freezer (FR) pallet truck's exterior product treatment provides resistance to corrosion due to condensation associated with freezer and refrigeration applications, making it immune to the cold.



LIFFRITE
KEEPS YOU MOVING



FREEZER

HAND PALLET TRUCK

FOR ORDERS OR INQUIRIES CALL 1.800.558.6012 OR EMAIL HPTORDERS@LIFTRITE.COM

DURABILITY

Harsh environments won't stop the Freezer (FR) from getting work done. It's resistant to corrosion caused by condensation through various material and surface treatments. The hot dip galvanized fork frame provides resistance to abrasion and premature surface treatment wear.

MAINTAINABILITY

With solid nylon wheels and rollers to prevent premature failure associated with bonded wheels in cold temperatures, the Freezer (FR) keeps you moving. The galvanized freezer unit is rated to -20°F (-30°C).

SPECIFICATIONS:

FR11LSA1-000

- » Capacity: 5,500 lbs
- » Fork Length: 48 inches
- » Frame Width: 27.00 inches
- » Fork Width: 7.00 inches
- » Low Height: 3.00 inches
- » Raised Height: 7.75 inches
- » Wheel Diameter: 7.00 inches
- » Wheel Type: White Nylon
- » Roller Diameter: 3.00 inches
- » Roller Type: White Nylon
- » Weight: 177 lbs



Non-marking white nylon wheels and rollers



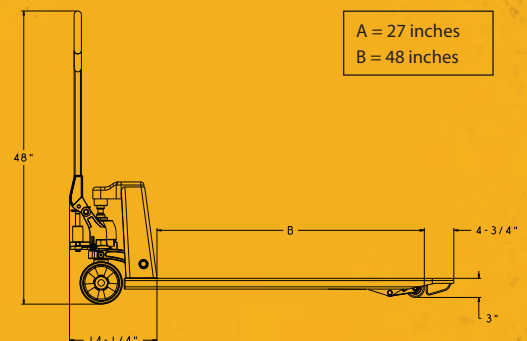
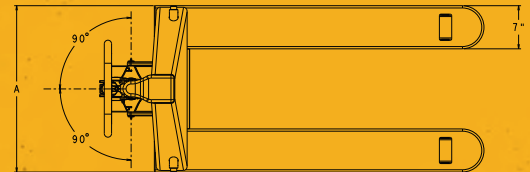
Electro-galvanized pump handle rollers



Chromated pump pistons and low temperature hydraulic oil



Hot dip galvanized fork frame



LIFT-RITE
KEEPS YOU MOVING

Due to continuous product improvement, specifications are subject to change without notice or obligation. Some systems and features shown are optional at extra cost. Lift-Rite is a U.S. trademark of Lift-Rite.

©2016 Lift-Rite
PO Box 130, Greene, NY 13778-0130
www.liftrite.com | Toll free 1-800-558-6012