

# EASY-LIFT

## WINCH LIFTER



### *DOESN'T BREAK A SWEAT*

The Easy-Lift is engineered to increase your productivity and is perfect for load lifting, work positioning and moving product, all at an affordable price. Getting hard work done has never been easier.

**LIFFRITE**  
KEEPS YOU MOVING



# EASY-LIFT

## WINCH LIFTER

FOR ORDERS OR INQUIRIES CALL 1.800.558.6012 OR EMAIL [HPTORDERS@LIFTRITE.COM](mailto:HPTORDERS@LIFTRITE.COM)

### SPACE SAVING

The Easy-Lift is a tough, compact and economical solution that can easily be transported to any desired working area.

### ERGONOMICS

With an adjustable shelf that allows operators to work at their desired height, you can work in comfort.

### RELIABILITY

Get work done the old-fashioned way.

### VERSATILITY

Think industrial strength packed in a light weight package, adaptable enough to transport product, serve as a working table, or serve as a staging area in applications from repair shops to grocery.

### SPECIFICATIONS:

E100LY00-000

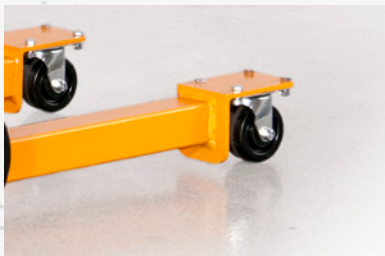
- » Capacity: 500 lbs
- » Platform Length: 20 inches
- » Platform Width: 20.00 inches
- » Lowered Height: 4.50 inches
- » Raised Height: 52.00 inches
- » Wheel Diameter: 6.00 inches
- » Wheel Type: Phenolic
- » Swivel Caster Diameter: 3.00 inches
- » Swivel Caster Type: Phenolic
- » Weight: 98 lbs



Hand operated winch with locking ratchet



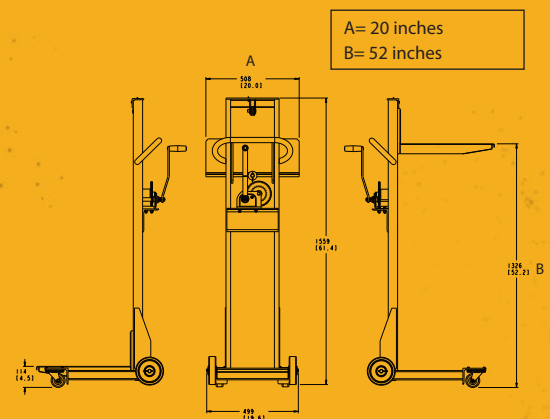
Smooth steel platform



Straddle mounted swivel casters



Durable phenolic wheels



**LIFTRITE**  
KEEPS YOU MOVING

©2016 Lift-Rite  
PO Box 130, Greene, NY 13778-0130  
[www.liftrite.com](http://www.liftrite.com) | Toll free 1-800-558-6012

Due to continuous product improvement, specifications are subject to change without notice or obligation. Some systems and features shown are optional at extra cost. Lift-Rite is a U.S. trademark of Lift-Rite.