

LOW PROFILE ULTRA LOW PROFILE

HAND PALLET TRUCK



DOES THE GROUNDWORK

The Low Profile (M5/U5) can move pallets and skids with low clearance openings, carrying loads weighing up to 5,000 lbs. without breaking a sweat.

LIFFRITE
KEEPS YOU MOVING

LOW PROFILE ULTRA LOW PROFILE

HAND PALLET TRUCK

FOR ORDERS OR INQUIRIES CALL 1.800.558.6012 OR EMAIL HPTORDERS@LIFTRITE.COM

FEATURES

- » The low profile forks are perfect for moving pallets or skids with low clearance openings.
- » Comes with a durable and rugged leak-proof cast hydraulic pump.
- » The powder coated finish lets it withstand harsh environments.



The unit is equipped with rugged black nylon wheels and steel load rollers



Three position fingertip control lever



One-piece leak-proof cast hydraulic pump



Durable powder coat finish

STANDARD SPECIFICATIONS:

- » Capacity: 5,000 lbs
- » Low Height: 2.00 inches
- » Raised Height: 6.75 inches
- » Wheel Diameter: 7.00 inches
- » Wheel Type: Nylon
- » Roller Diameter: 2.00 inches
- » Roller Type: Steel
- » Weight: 175 lbs

OPTIONS:

LOW PROFILE

M511LY00-X00

- » Fork Length: 48 inches
- » Frame Width: 27.00 inches
- » Fork Width: 6.00 inches
- » Weight: 175 lbs

ULTRA LOW PROFILE

UF11LY00-000

- » Fork Length: 48 inches
- » Frame Width: 29.00 inches
- » Fork Width: 4.75 inches
- » Weight: 175 lbs

M512LY00-X00

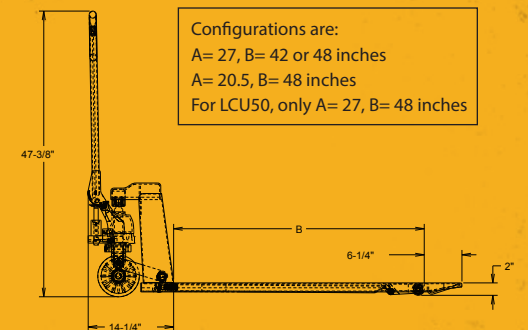
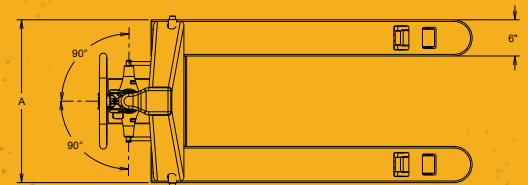
- » Fork Length: 42 inches
- » Frame Width: 27.00 inches
- » Fork Width: 6.00 inches
- » Weight: 165 lbs

U511LY00-000

- » Fork Length: 48 inches
- » Frame Width: 27.00 inches
- » Fork Width: 6.00 inches
- » Weight: 175 lbs

M521LY00-X00

- » Fork Length: 48 inches
- » Frame Width: 20.50 inches
- » Fork Width: 6.00 inches
- » Weight: 160 lbs



LIFTRITE
KEEPS YOU MOVING

©2016 Lift-Rite

PO Box 130, Greene, NY 13778-0130

www.liftrite.com | Toll free 1-800-558-6012

Due to continuous product improvement, specifications are subject to change without notice or obligation. Some systems and features shown are optional at extra cost. Lift-Rite is a U.S. trademark of Lift-Rite.